

Construction Specifications

Doors and Drawer Fronts:

Doors on the Value line are made of solid wood rails with a MDF/veneered center panel to reduce the possibility of shrinkage; drawer fronts differ by door style and are either solid wood rails with a veneered recessed panel or a solid wood slab.

Hallmark Door Series:

The 5 piece Hallmark modified full overlay door has a ½" thick MDF/plywood veneered center panel captured in a ¾" x 2¼" mortise and tenon solid wood frame and is complimented with a 5 piece recessed panel drawer front. The overlay on top of all wall cabinets has been modified to accept a crown moulding.

Landmark Door Series:

The 5 piece Landmark traditional overlay door has a ½" thick MDF/plywood veneered raised center panel captured in a ¾" x 2" solid frame and is complimented with a slab drawer front. All doors and drawer fronts are back beveled so no handles or knobs are necessary.

Hinges:

6-way adjustable, concealed hinges open at 110° on all product lines. Compact Blumotion soft close hinges (Blum model #39C355B.20) supplied standard on Hallmark Frost only and available as an upgrade for other Hallmark lines.

Drawers:

The Value line includes a ¾" thick solid wood dovetail drawer box with a ¾" plywood bottom, attached to under-mounted epoxy coated slides. Tandem plus Blumotion concealed drawer runners (Blum model #563H) supplied standard for Hallmark Frost only and available as an upgrade for other Hallmark lines.

Shelving:

15mm (¾") thick select veneered wood with matching wood edge-banding is used on all wall and base cabinetry where applicable. The adjustable shelves are supported by plastic self locking shelf clip.

Backs, Tops and Bottoms:

½" thick veneered plywood with natural finished interiors. The backs are stapled and screwed into place for additional support.

Face Frame:

¾" x 1½" solid wood stiles and rails jointed with glue and dowels. Back of face frames are grooved to accept side panels. The Hallmark face frame is engineered so that the bottom of all base and wall cabinets are flushed with the top inside edge of the face frame creating a custom look.

Toe Kick:

½" x 4½" select veneered plywood toe kick is added to each assembled cabinet and stained to match. Additional 8-foot lengths of ¼" plywood toe kicks are available for those who do not wish to see the joints between cabinets.

Panel Beams:

A panel beam is fastened into a dovetail groove at the top of each base cabinet to ensure a straight fully integrated side, and for use of support and mounting of a countertop.

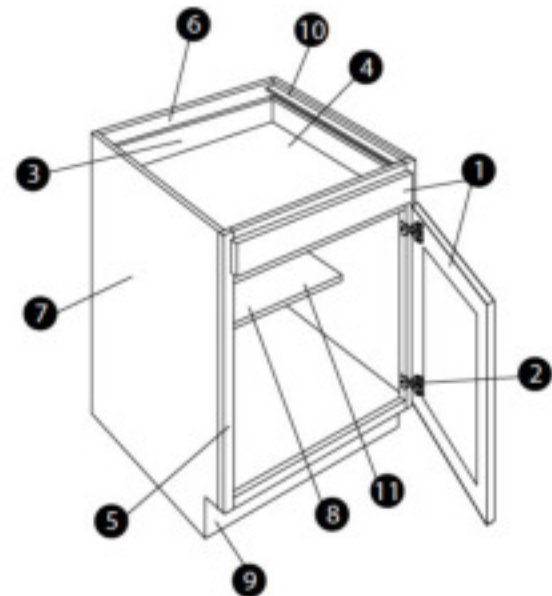
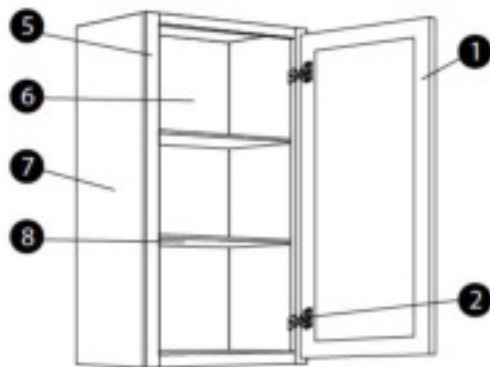
Copyright © 2019 by Fabuwood Cabinetry Corp.

All rights reserved.

No part of this publication may be reproduced, distributed, or transmitted in any form or by any means, including photocopying, scanning, or other electronic or mechanical methods, including online sharing, without the prior written permission of Fabuwood Cabinetry Corp.

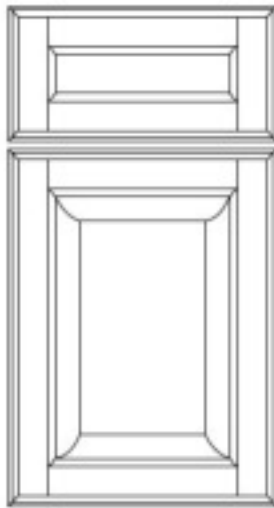
Construction Specifications

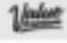
- 1 Solid wood door and drawer front frames are mortise and tenon.
- 2 6-way adjustable concealed hinge with 110° opening capability.*
- 3 ¾" solid wood dovetail drawer with a ¾" plywood bottom with under mount epoxy coated slides.*
- 4 2½" interior drawer height.
- 5 ¾" x 1½" solid wood face frame.
- 6 ½" select veneered plywood back with a natural finished interior.
- 7 ½" select veneered plywood side panels grooved into face frame.
- 8 15mm (¾") select veneered plywood adjustable shelving with matching wood veneer edge banding.
- 9 ½" x 4½" select veneered plywood toe kick stained to match exterior finish and attached to cabinet.
- 10 1½" x ½" plywood panel beams dovetailed into the side panels for strength and stability.
- 11 Base cabinet has 11⅞" deep shelf.



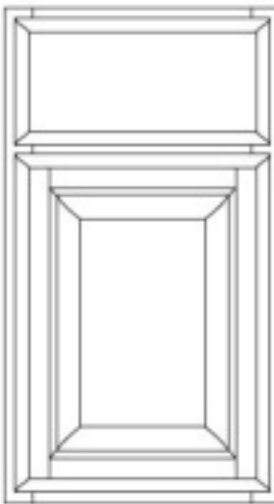
* *Hallmark Frost features:
Tandem plus Blumotion concealed drawer runners (Blum model #563H)
and Compact Blumotion soft close hinges (Blum model #39C355B.20)*

Door Style


HALLMARK

COLOR	FINISH	PRICE COLUMN
 Frost	Paint	N
Pecan	Stain	G
Brandy	Stain	G
Chestnut	Stain	M

- Full overlay door with modified overlay on wall cabinets.
- Frames are solid wood $\frac{3}{4}$ " thick and 2 $\frac{1}{4}$ " wide.
- Constructed with mortise and tenon joints.
- $\frac{1}{2}$ " thick MDF (Frost) or MDF/Plywood veneer (Pecan, Brandy & Chestnut) center panel.
- 5-piece recessed panel drawer front matches door design.
- Upgrade to Compact Blumotion Soft Close Hinges (Blum Model #39C3558.20) are available for a charge (comes standard in Hallmark Frost)
- Upgrade to Tandem Plus Blumotion Concealed Drawer Runners (Blum Model #563H) are available for a charge (comes standard in Hallmark Frost)


LANDMARK

COLOR	FINISH	PRICE COLUMN
Natural	Stain	F
Brandy	Stain	F

- Traditional overlay door.
- Frames are solid wood $\frac{3}{4}$ " thick and 2" wide.
- Constructed with mortise and tenon joints.
- MDF/Plywood veneered center panel is $\frac{1}{2}$ " thick.
- Solid wood slab drawer front matches door edge design.
- Door and drawer fronts are back beveled to eliminate the need for a knob or handle.